



K H K SCAFFOLDING & FORMWORK L.L.C.



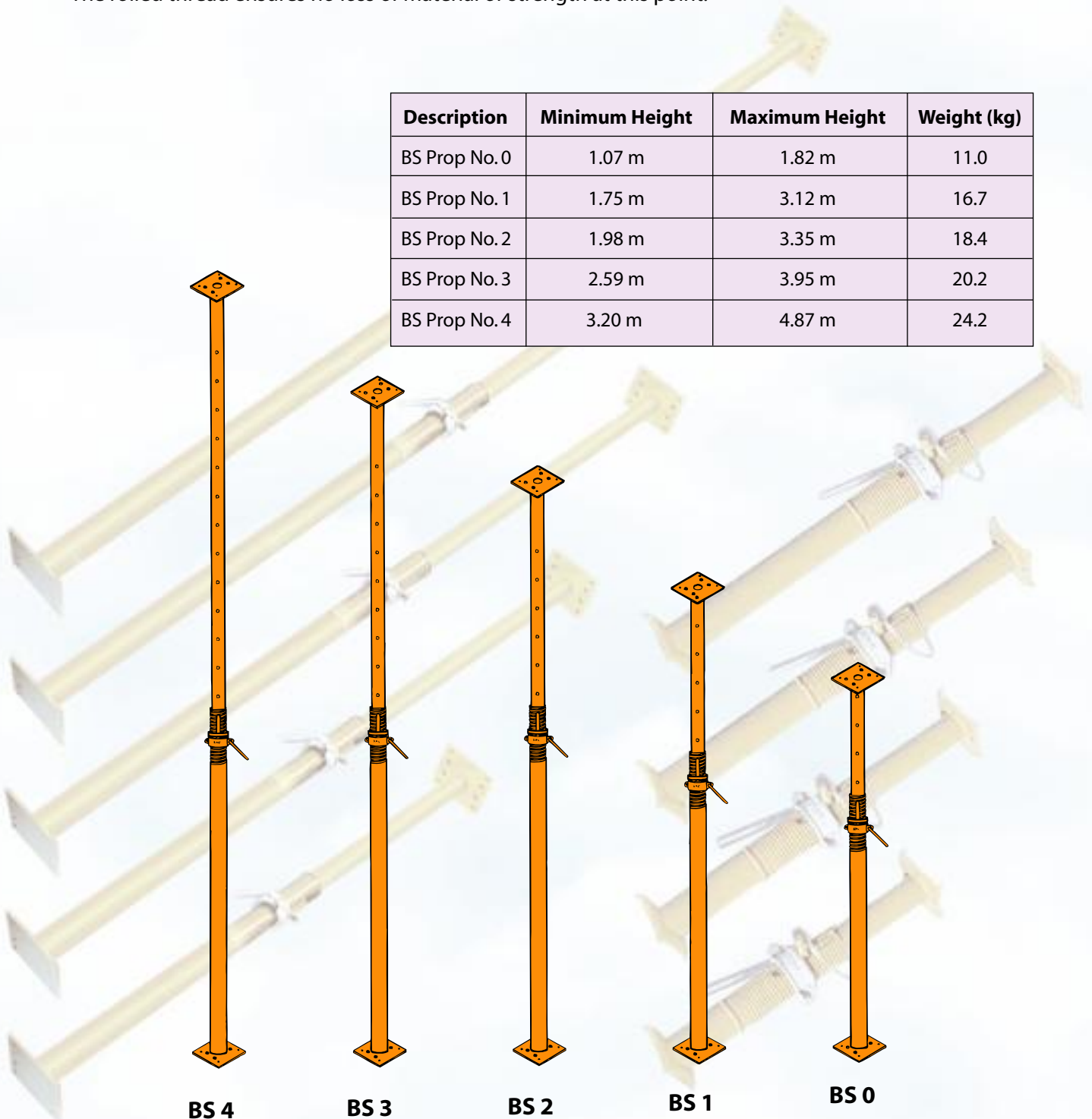
Props

BS Props

BS Props

- BS Props fully conform to the requirements of BS 4074 : 1982 and have been tested in accordance with BS 5507 Part 3 : 1982.
- BS Props are manufactured from high quality material with a powder coated painted finish for long life and are highly resistant to site wear and tear.
- BS Prop can be used on all types of building construction or for any type of use where an adjustable load bearing member is required.
- The high tensile steel pin is located through a slot in the outer section and a hole on the inner section for coarse adjustment. The cast collar located below the pin gives fine adjustment for levelling or striking.
- The rolled thread ensures no loss of material or strength at this point.

| Description | Minimum Height | Maximum Height | Weight (kg) |
|---------------|----------------|----------------|-------------|
| BS Prop No. 0 | 1.07 m | 1.82 m | 11.0 |
| BS Prop No. 1 | 1.75 m | 3.12 m | 16.7 |
| BS Prop No. 2 | 1.98 m | 3.35 m | 18.4 |
| BS Prop No. 3 | 2.59 m | 3.95 m | 20.2 |
| BS Prop No. 4 | 3.20 m | 4.87 m | 24.2 |

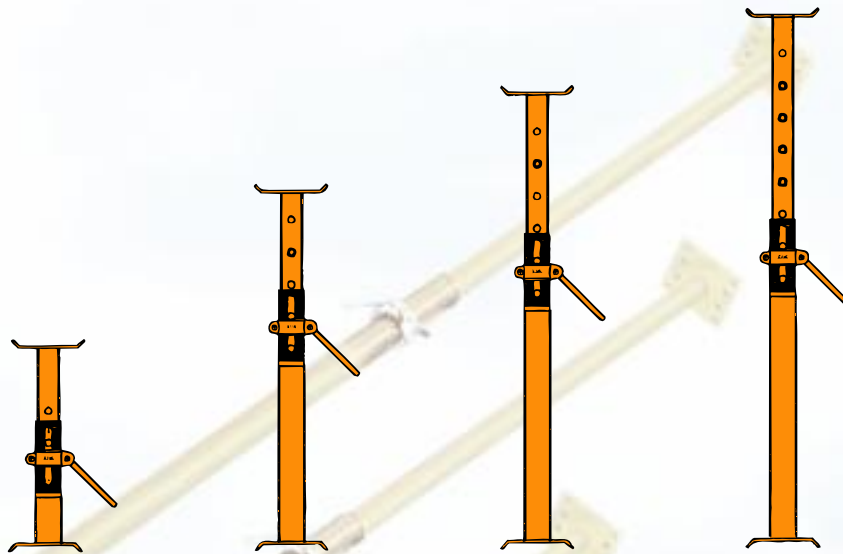


BS Trench Struts

Trench Struts

Trench Struts are of similar design to BS Props but have upturned corners on the end plates to give a 'claw' grip to timber walings.

All struts have a Safe Working load of 35 kN (3 1/2 Tonnes) therefore giving constant spacing when sizes have to be mixed.



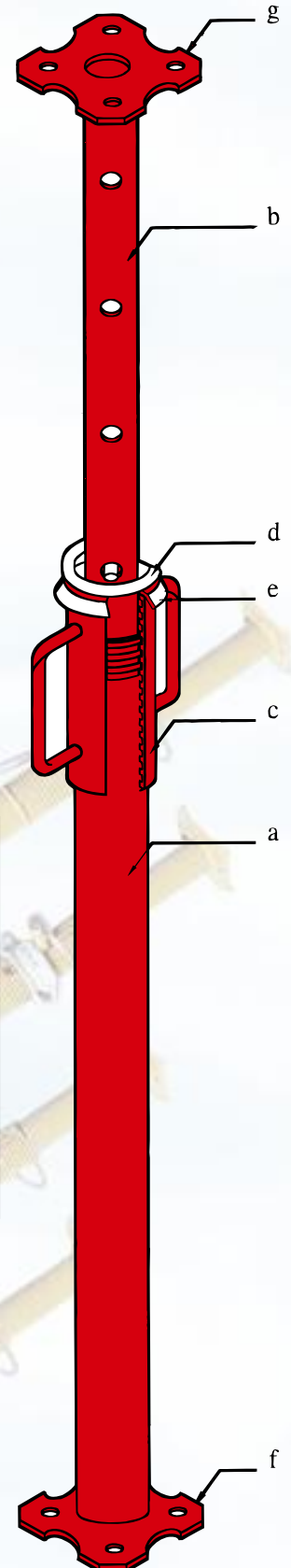
| Description | Minimum Height | Maximum Height | Weight (kg) |
|----------------------|----------------|----------------|-------------|
| BS Trench Strut No.0 | 0.30 m | 0.48 m | 5.1 |
| BS Trench Strut No.1 | 0.45 m | 0.68 m | 6.2 |
| BS Trench Strut No.2 | 0.68 m | 1.06 m | 8.4 |
| BS Trench Strut No.3 | 1.06 m | 1.67 m | 10.8 |

Props with Collar

Props with Collar

- Manufactured with high resistance steel tubes STC-37.0.
- Tubes painted with Epoxy Finish and the pin with electroplated finish.
- 3 different sizes with 2 Models covering all loads and measurements.
- Also available in dip painted finish.

- a) Outer Tube
- b) Inner Tube
- c) Collar
- d) Lock Pin
- e) Cap to Cover Collar
- f) Outer Plate 120 x 120 x 4.8 mm
- g) Inner Plate 120 x 120 x 4.8 mm

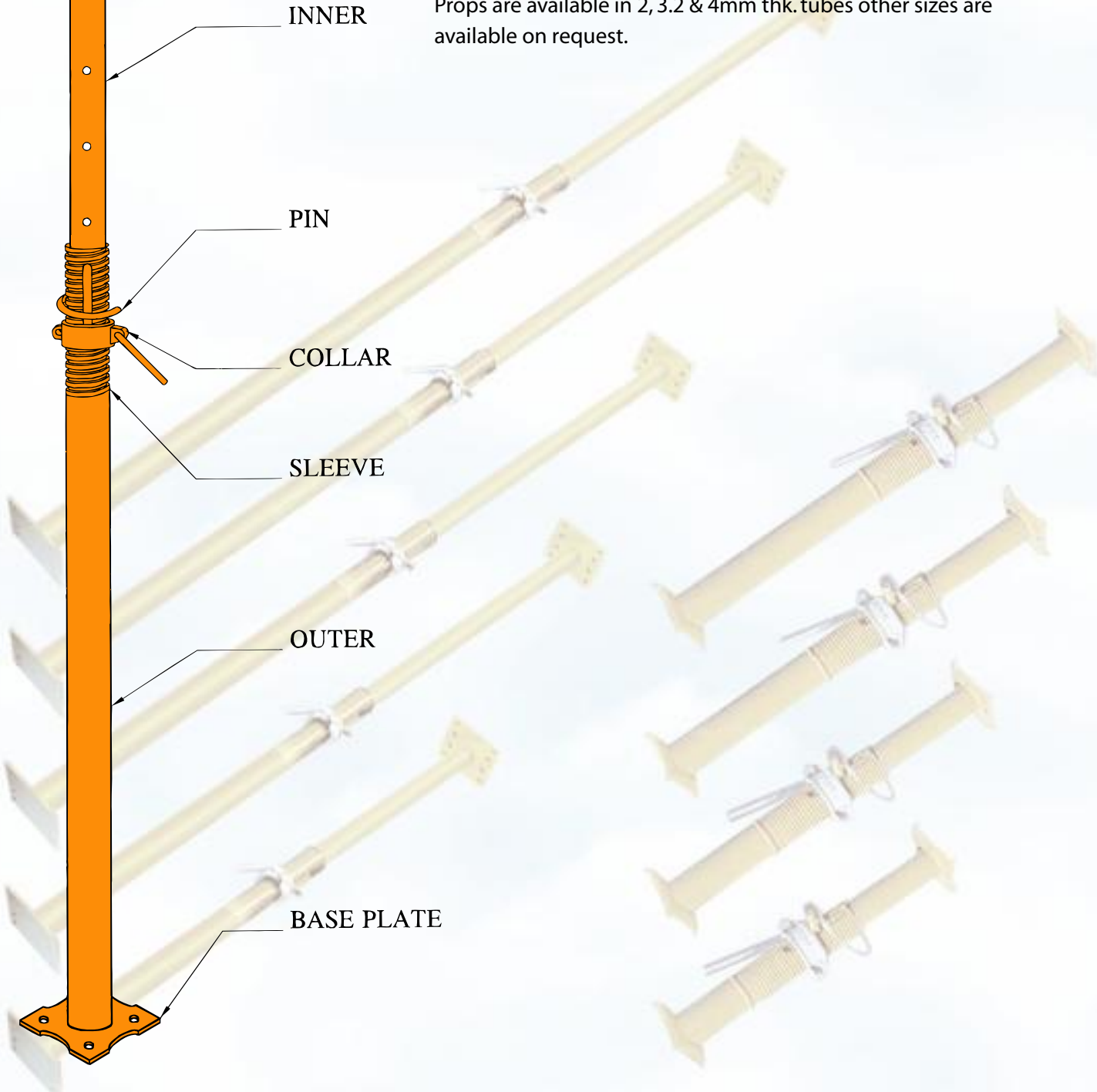
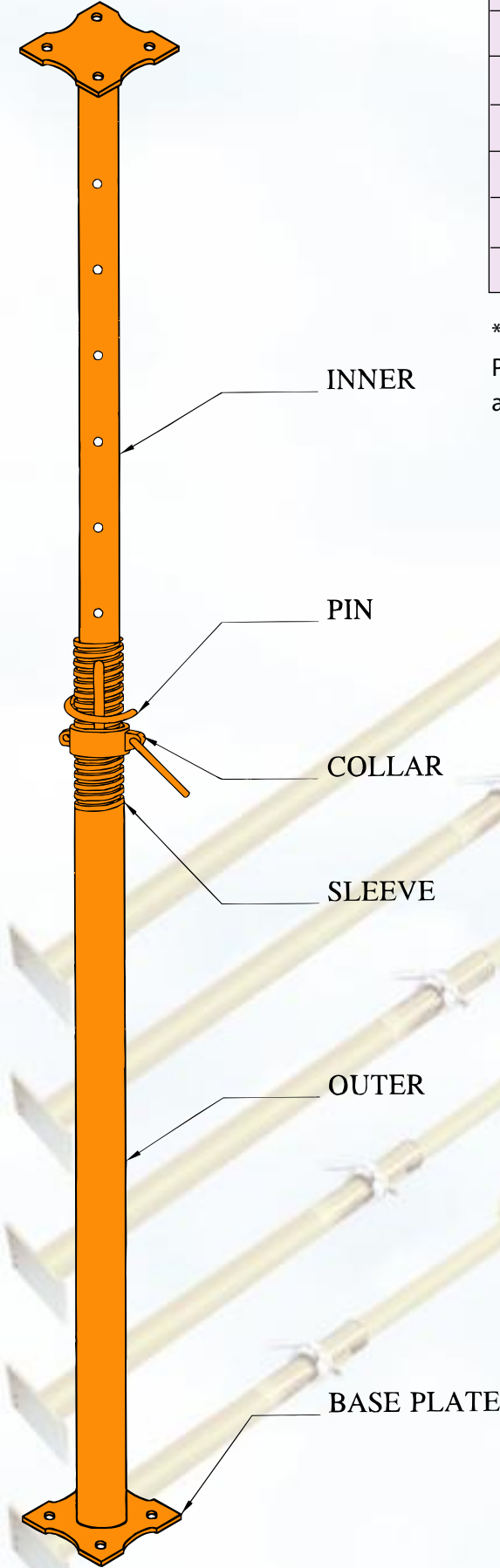


| Models | Length | Tube Sizes | | Weight (kg) |
|-------------|-----------|------------|----------|-------------|
| | | Inner | Outer | |
| 3m Spanish | 1700-3100 | 40 x 2.5 | 48 x 2.0 | 10.0 |
| 4m Spanish | 2200-4000 | 40 x 2.5 | 48 x 2.0 | 12.5 |
| 5m Spanish | 3000-5000 | 52 x 2.5 | 60 x 2.0 | 19.0 |
| 3m European | 1700-3100 | 48 x 2.0 | 57 x 2.0 | 10.7 |
| 4m European | 2000-3600 | 48 x 2.0 | 57 x 2.0 | 13.2 |
| 5m European | 2200-4000 | 48 x 2.0 | 57 x 2.0 | 15.7 |

Light & Medium Duty Props

| Size | Minimum Height | Maximum Height | Weight (kg)* |
|-------|----------------|----------------|--------------|
| 5.0 m | 3.00 m | 5.00 m | 15.8 |
| 4.0 m | 2.50 m | 4.00 m | 13.6 |
| 3.9 m | 2.40 m | 3.90 m | 13.2 |
| 3.5 m | 2.00 m | 3.50 m | 12.5 |
| 3.0 m | 1.75 m | 3.00 m | 11.0 |
| 2.5 m | 1.50 m | 2.50 m | 9.6 |

* Weight are given for props having 2mm thick tube.
 Props are available in 2, 3.2 & 4mm thk. tubes other sizes are available on request.



Props

Joint Pin

A fitting designed with utilities as the sleeve coupler except that it is connected internally.

Weight: 0.82 kg.
Code: 05807-02



Gravlock Girder Couplers

Designed to connect scaffold tube to beam or girder flange.
A pair of gravlock girder couplers must always be used.

Weight: 1.30 kg.
Code: 05808-02



Prop Bracing Double Coupler

Designed to connect standard scaffolding tube to the prop inner tube at 90.

Weight: 1.2 kg.
Code: 05809-02



Prop Bracing Swivel Coupler

The prop bracing swivel coupler is used to connect scaffold tube to the prop inner tube at any angle.

Weight: 1.20 kg.
Code: 05810-02



Trench Struts

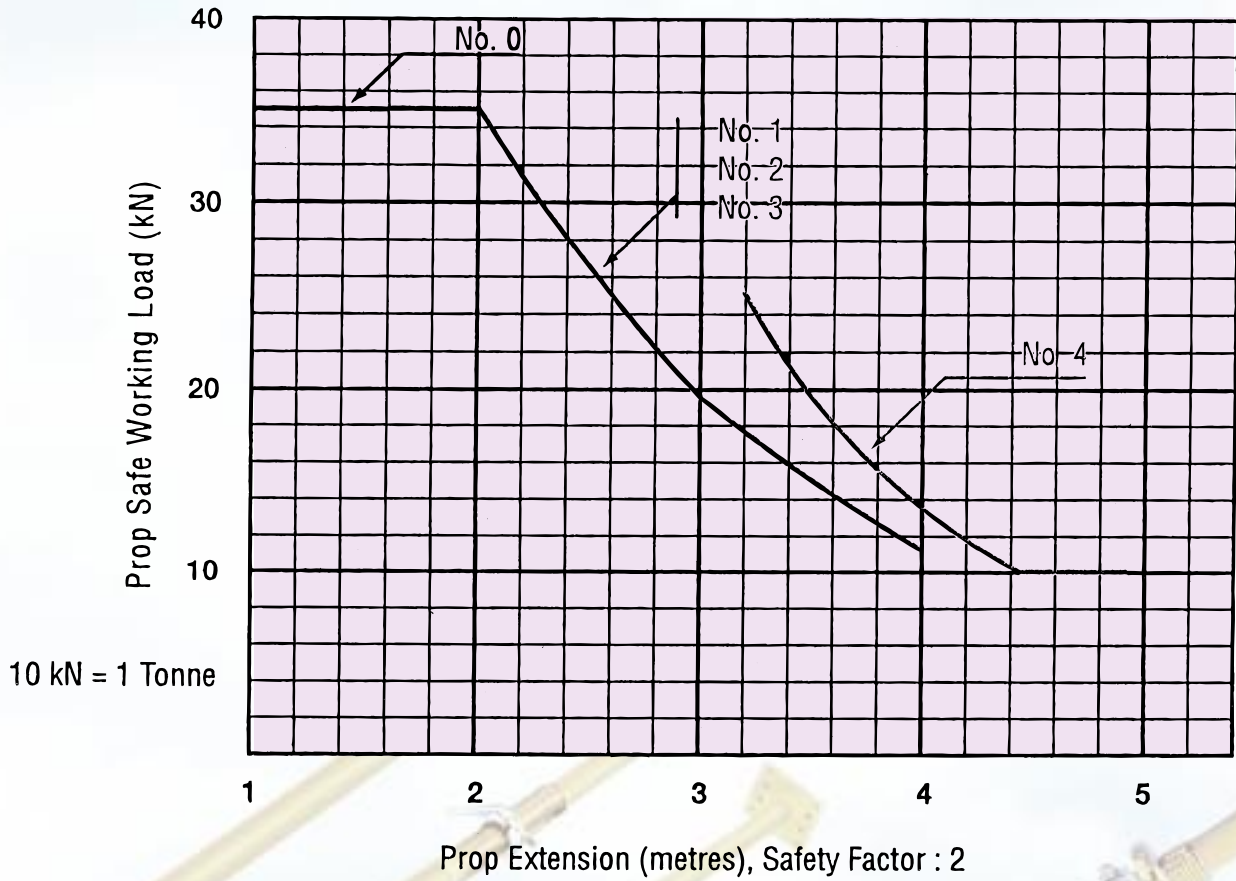
Trench Struts are of similar design to BS Props but have upturned corners on the end plates to give a 'claw' grip to timber walings.

All struts have a Safe Working Load of 35kN (3 1/2 Tonnes) therefore giving constant spacing when sizes have to be mixed.



| Code | Description | Minimum Extension | Maximum Extension |
|----------|-----------------------|-------------------|-------------------|
| 06410-00 | BS Trench Strut No. 0 | 0.30m | 0.48m |
| 06411-00 | BS Trench Strut No. 1 | 0.45m | 0.68m |
| 06412-00 | BS Trench Strut No. 2 | 0.68m | 1.06m |
| 06413-00 | BS Trench Strut No. 3 | 1.06m | 1.67m |

Safe Working Load for Free Standing BS Props



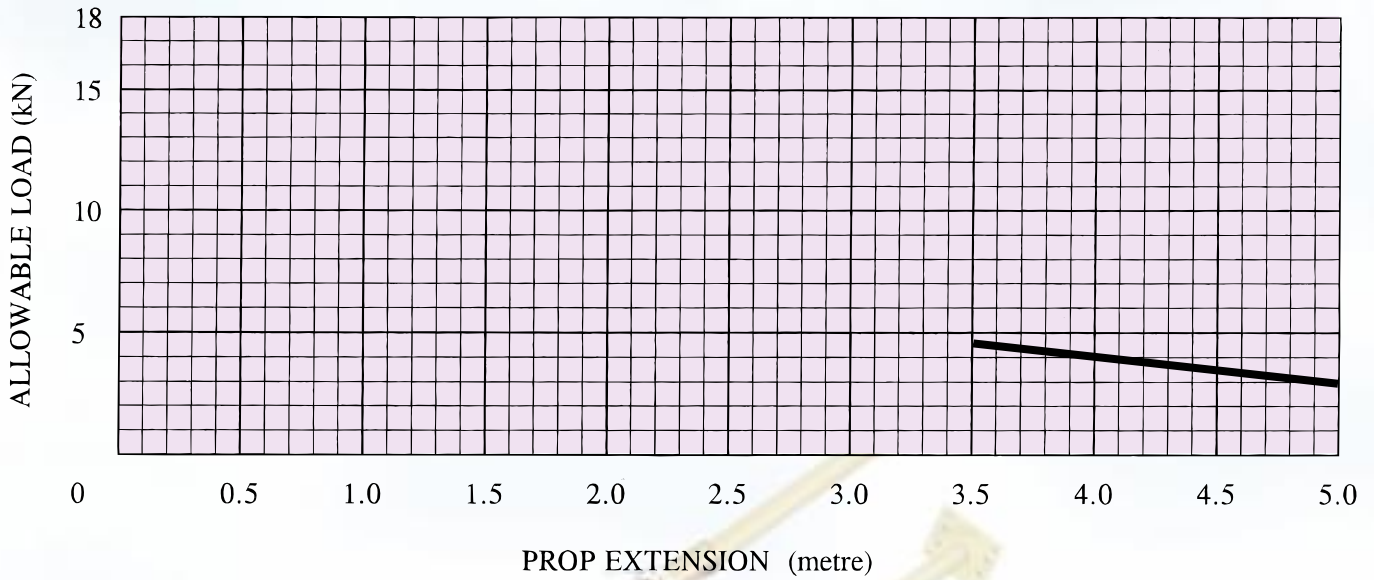
Props should always be plumb and loaded concentrically.

Safe Working Loads allow 1.5° out of plumb loaded concentrically.

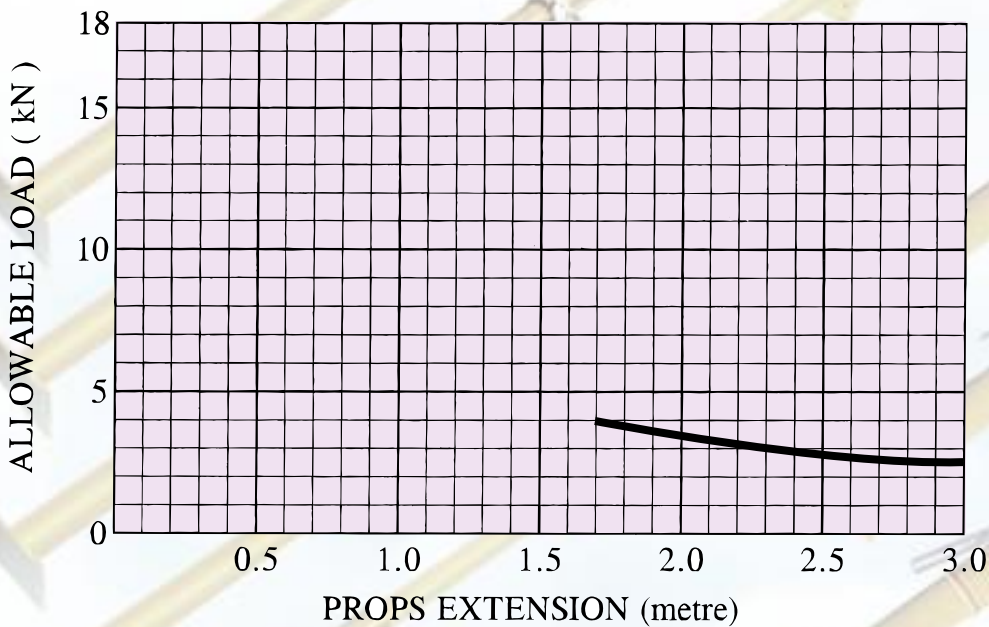
When using the tables the height of any attachment bolted to the prop must be included in the extension.

| Extension | Maximum Allowable Out of Plumb | |
|-----------|--------------------------------|--------|
| | 5 m | 125 mm |
| 4 m | 100 mm | |
| 3 m | 75 mm | |
| 2 m | 50 mm | |
| 1 m | 25 mm | |

Safe Working Load for Props with collar



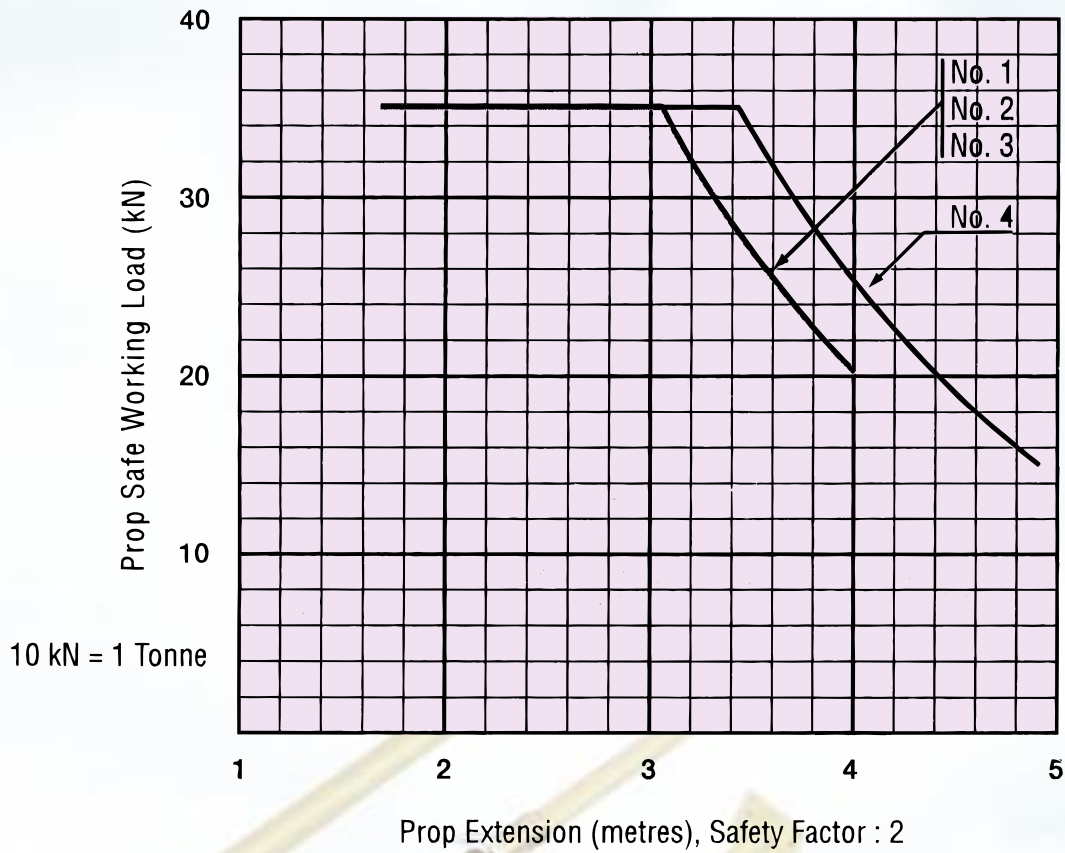
Safe Working Load for props with collar having
 Inner tube: $\varnothing 52 \times 2.5$ mm Thick
 Outer tube: $\varnothing 60 \times 2.0$ mm Thick



Safe Working Load for props with collar having
 Inner tube: $\varnothing 40 \times 2.5$ mm Thick
 Outer tube: $\varnothing 48 \times 2.0$ mm Thick

Laced Props

Safe Working Loads



Prop should always be plumb and loaded concentrically.

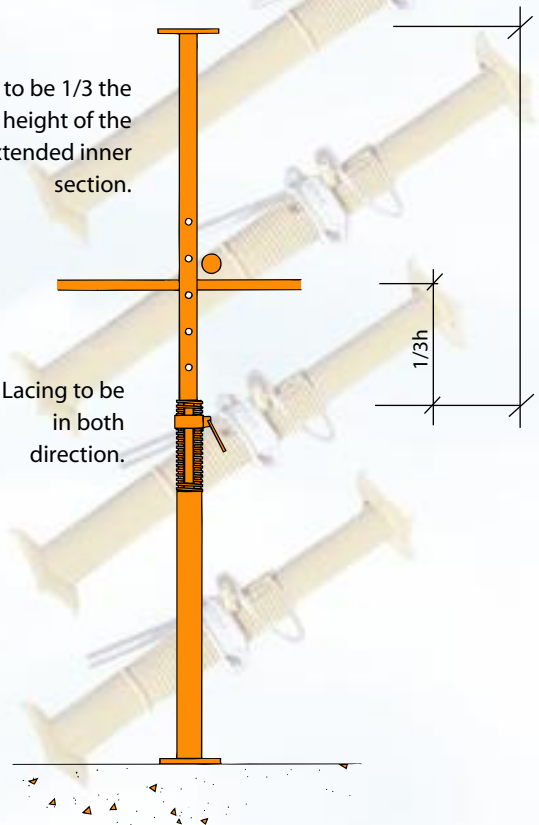
LACED PROPS must resist horizontal loads by diagonal bracing or tying to the permanent structure.

When using the tables, the height of any attachment bolted to the prop must be included in the extension.

Lacing to be 1/3 the height of the extended inner section.

Lacing to be in both direction.

1/3h





 **K H K SCAFFOLDING**
& FORMWORK L.L.C.

Head Office:

New Industrial Area
P.O.Box: 2701, Ajman-U.A.E
Tel: +971-6-7439013, Fax: +971-6-7439017
E-mail: khkscaf@emirates.net.ae, Website: www.khk-scaffolding.com

Branches :

A-Val Metal Resources, Inc.

5925, Airport Road, Suite 200, Airway Centre,
Mississauga L4V 1W1, Ontario, Canada
Tel.: 001 905 405 6245, Fax: 001 905 672 8630
email : khk@avalmetal.com or hasiha@khk-scaffolding.com

Brisko Scaffolding Limited

120 South lane New Malden
Surrey KT3 SEL England
Tel.: 0044 - 20 - 83364595
Fax: 0044 - 20 - 83364596

Prime Metal CORPORATION - USA

653 Route 52, Walden NY 12586
United States of America
Tel.: 001 - 845 - 778 4545
Fax: 001 - 845 - 778 4218

Winston Scaffolding Pty Ltd.

44-46 Gould Street
South Strathfield, N.S.W. 2136
Tel.: 00 - 02 - 97588700
Fax: 00 - 02 - 97587263